

Glassboro Public Schools



MEMO

To: Al Lewis

From: Michael Sloan

Date: June 24, 2026

Re: Gymnasium equipment at Thomas E. Bowe Middle School

Recommend the Board approve the purchase and installation of gymnasium equipment at Thomas E. Bowe Middle School through Degler-Whiting, Inc. at a total cost of \$186,600.00, utilizing Ed Data Services Cooperative Purchasing Contract #12839. This project includes the replacement of telescopic bleachers, basketball backstops, volleyball equipment, wall padding, scoreboard equipment, and related gymnasium improvements. These upgrades will modernize the facility, improve safety, and enhance the overall experience for students, staff, and community members utilizing the gymnasium. The project will be funded through referendum funds.

DEGLER WHITING

WE SERVICE WHAT WE SELL EST 1956 INC

tim@deglerwhiting.com

Date: 6/22/2026

TO: Glassboro Public Schools

PROJECT: Thomas Bowe School Gym Renovations

Appreciating this opportunity to serve you. We submit the following proposal to sell the material or equipment as described and priced herein. Subject to all the terms and conditions stated herein. Terms: Net 15 Days

Telescopic Bleachers by Interkal

Remove and dispose of existing bleachers. Provide and install two new banks of bleachers 37'2' long x 3 rows, 66 seats per bank, high with 10" deep ESM modules, pendant switch-controlled friction power electric operation, vinyl end curtains, one aisle per bank, recoverable ADA truncations, self-storing aisle and end rails.

Basketball Backstops by Porter Athletic

Removed and dispose of six existing basketball backstops.

Provide and install four new electrically operated side court basketball backstops, ceiling suspended Model 949 front braced forward folding backstops with rectangular glass backboards, bolt on edge pads, breakaway goals, safety straps and electrically operated height adjusters.

Provide and install two new electrically operated main court basketball backstops, ceiling suspended Model 917 back-braced forward folding backstops with rectangular glass backboards, bolt on edge pads, breakaway goals and electrically operated height adjusters.

Two adjustable wall mounted chinning bars.

Two new Model 872200 volleyball sleeves with 8" cover plates.

Thirty-Three permanent wall pads 2' x 6' and four custom corner pads with all cut outs and Z clip attachment.

Scoreboard by Fairplay

One Model BB1660-4 scoreboard with one wireless controller with carrying case and one wireless receiver for scoreboard.

Remove one existing electric divider curtain and reinstall.

Total price delivered and installed excluding electrical hookup of all equipment, patching and painting. \$186,600.00

Deduct to provide one continuous bank of bleachers with 155 total seats. Deduct \$850.00

Project can be ordered using our NJ Co Op pricing through Ed Data Services #12839 or National Contract pricing through TIPS and SOURCEWELL.

***See Important Sales Tax Information Below:*

This proposal is subject to the following conditions:

- Pending Acceptance within 30 days of dated quote, building progress to permit delivery and completion of installation by agreed upon date, and availability of materials prices will remain firm. If one or more of these conditions cannot be met, the price(s) quoted may be subject to escalation based on increased costs and a new quote will be supplied.
- Orders are subject to manufacturer deposit requirements. All required deposits must be submitted before order is placed.

2025 Ridge Road, Elverson, PA 19520
610-644-3157

www.deglerwhiting.com

DEGLER WHITING

WE SERVICE WHAT WE SELL EST 1956 INC

- All **delivery only** orders under \$5,000.00 must be paid in full or Purchase Order issued prior to ordering. A deposit of 30% must be paid prior to ordering for any delivery only orders over \$5,000.00. Degler-Whiting Inc. is not responsible for loss or damage to goods during transit or delivery. Photos of delivered goods and confirmation of packing list is required for any assistance offered for resolution of delivery issues. Upon receiving the order, the customer has 3 business days to report missing or damaged parts. Once five days have passed no refund will be offered.
- All credit card payments are subject to a 3% surcharge for each transaction.
- Any work completed on a Saturday or 2nd shift/3rd shift hours will be billed additionally for corresponding overtime pay rates, to be approved in advance by both Degler-Whiting and the general contractor via a change order.
- Availability and delivery of materials by manufacturers are not within the control of Degler-Whiting, Inc. and subject to supply chain.
- Title to materials to be retained by DEGLER-WHITING, INC. until 100% paid.
- Requests for Certificates of Insurance with additional insured endorsements will require an upcharge to our quote.
- ***** Sales Tax Notice: This quote does not include sales tax. Sales tax will be added to the final invoice in accordance with applicable state and local laws, unless one of the following is provided prior to invoicing:**
 - A valid tax exemption certificate for qualifying organizations
 - A valid resale certificate for purchases intended for resale
 - For New Jersey public schools and government entities, a signed purchase order on official letterhead is considered sufficient proof of tax-exempt status per NJ Division of Taxation regulations.
 - If tax exemption or resale status cannot be verified, applicable sales tax will be charged.

Submitted By: Timothy E. Whiting
DEGLER-WHITING, INC.

Accepted by _____

Thomas Bowe Middle School

QTY	DESCRIPTION	SEATS	RISE	SPAN
Bank #1	3 Row Friction Power Wall Attached 37'-2" W/ 10" Excel Seat Module -05 Burgundy	66	10.25	24
1	3 Row Foot Level Aisles W/ Self-Storing F-Rail			
1	3 Row Intermediate Steps			
1	1 Row Recoverable Truncation			
2	3 Row Self-Storing End Rails			
2	Operation Controller (pendant switch)			
1	Vinyl End Curtains LH -02 Gold			
1	Vinyl End Curtains RH -02 Gold			
1	Last Row Seat Level Filler Board			
Bank #2	3 Row Friction Power Wall Attached 37'-2" W/ 10" Excel Seat Module -05 Burgundy	66	10.25	24
1	3 Row Foot Level Aisles W/ Self-Storing F-Rail			
1	3 Row Intermediate Steps			
1	1 Row Recoverable Truncation			
2	3 Row Self-Storing End Rails			
2	Operation Controller (pendant switch)			
1	Vinyl End Curtains LH -02 Gold			
1	Vinyl End Curtains RH -02 Gold			
1	Last Row Seat Level Filler Board			
Bank #3	3 Row Friction Power Wall Attached 84'-1 3/4" W/ 10" Excel Seat Module -05 Burgundy	155	10.25	24
2	3 Row Foot Level Aisles W/ Self-Storing F-Rail			
2	3 Row Intermediate Steps			
1	1 Row Recoverable Truncation			
2	3 Row Self-Storing End Rails			
2	Operation Controller (pendant switch)			
1	Vinyl End Curtains LH -02 Gold			
1	Vinyl End Curtains RH -02 Gold			
1	Last Row Seat Level Filler Board			

NOTES:

TOTAL SEATS

287

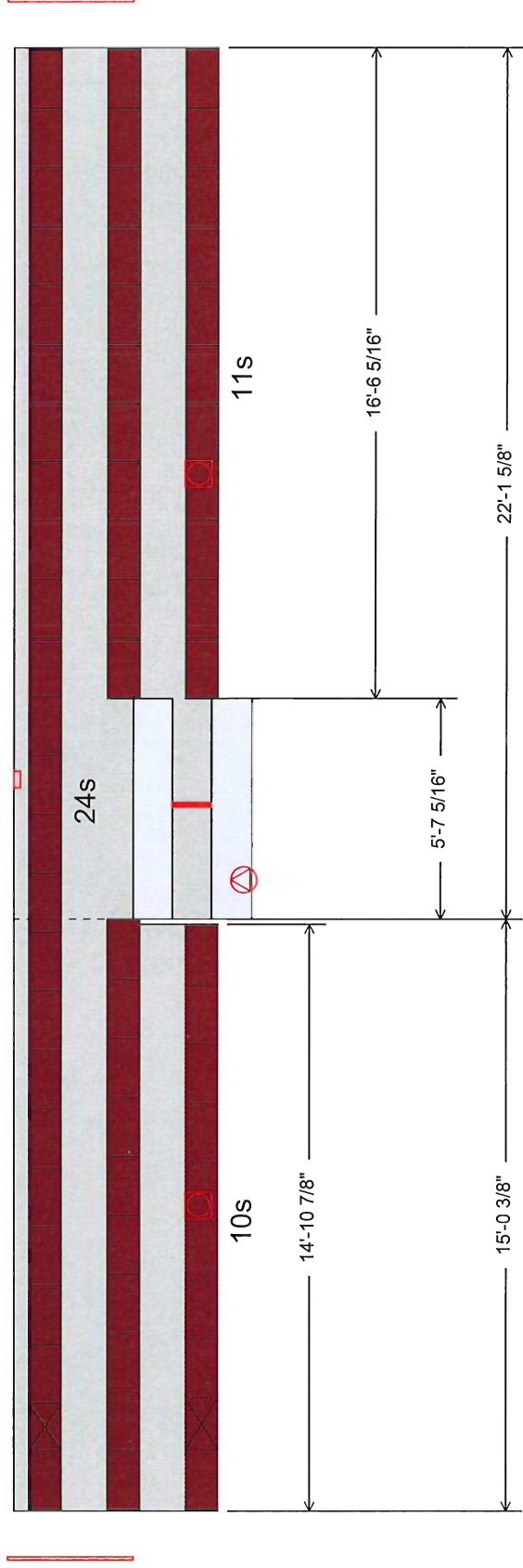


5981 East Cork Street, PO Box 2107, Kalamazoo, MI 49003-2107
telephone (269) 349-1521 fax (269) 349-6530

Thomas Bowe Middle School

Bank 1 - 37'-2" Friction Power
 Building Code: IBC 2018
 39'-8" Clear Dimension
 3 Row - 24 Span - 10.25 Rise
 66 seats (EM10)

- POWER REQUIREMENTS:**
1. Wiring and non-fusible safety switch(es) suitable for the line voltage to be provided by electrical contractor or others with branch circuit protection to each not exceeding 15 amps.
 2. Branch circuit protection devices by others to be accessible when platforms are closed.
 3. Verify electrical information:
 Circuit 3 Phase, 208-230 Volts, 60 Hertz.
 Each 1/2 Horse Power Motor Draws 2.0-2.2 amps. Full Load.
 Motors run simultaneously.
 4. Junction box(es) by electrical contractor to be mounted at locations TBD, 5' AFF.
 Typical location shall be at section joints.

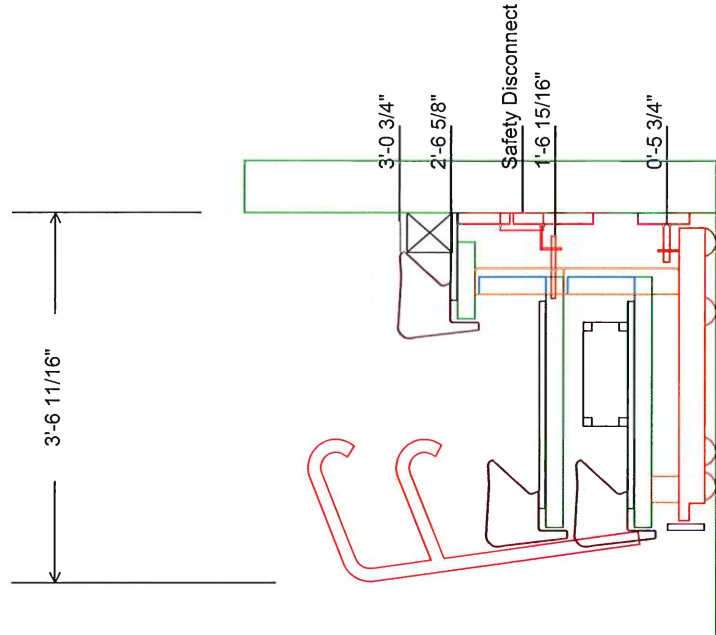
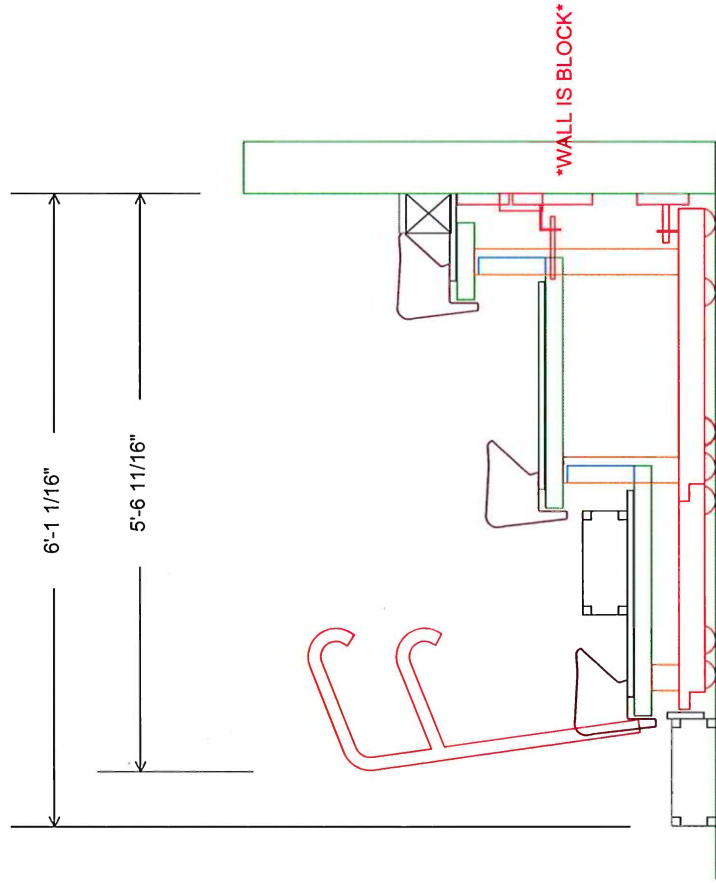


5981 East Cork Street, PO Box 2107, Kalamazoo, MI 49003-2107
 telephone (269) 349-1521 fax (269) 349-6530

Drawings produced by this program are only as good as the information provided. These drawings are PRELIMINARY only.
 All drawings created are subject to Interkal approval for design and construction capability.
 Printed: June 16, 2026 v2.8.0

Thomas Bowe Middle School

Bank 1 - 37'-2" Friction Power
 Building Code: IBC 2018
 3 Row - 24 Span - 10.25 Rise - Wall Attached
 66 seats (EM10)
 2'-10 15/16" Court To Step Dimension
 3'-5 5/16" Court To First Row Dimension

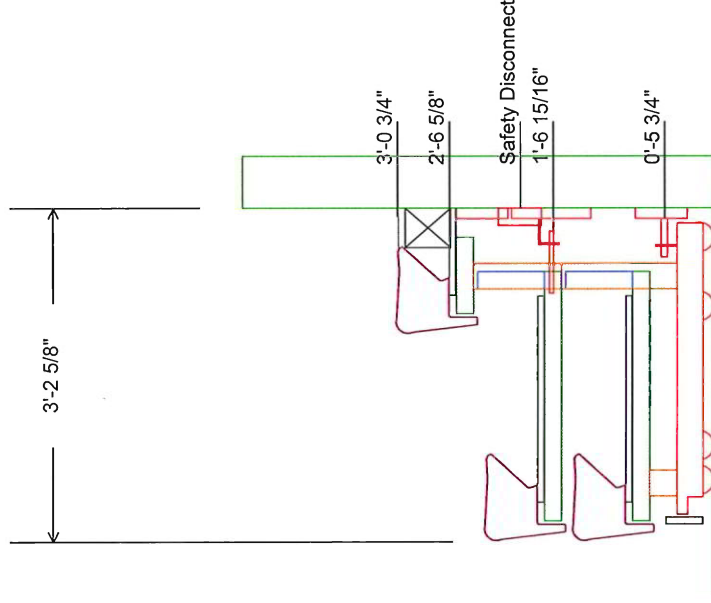
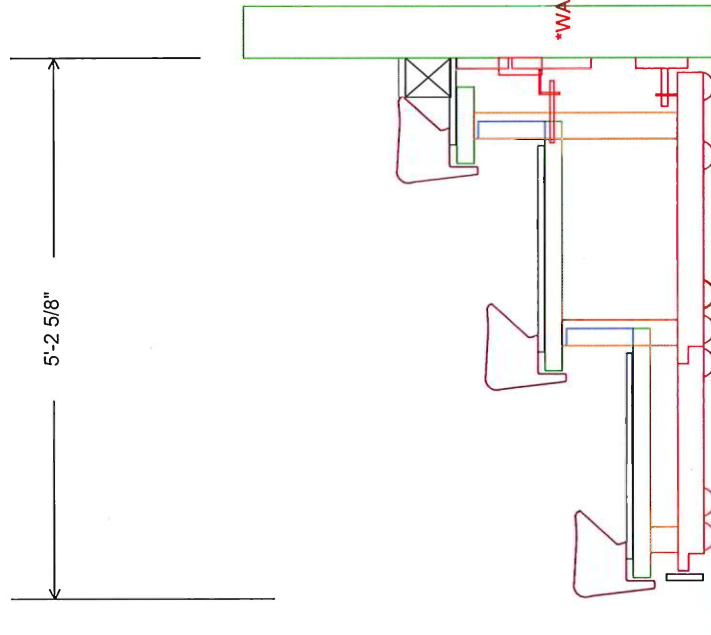


5981 East Cork Street, PO Box 2107, Kalamazoo, MI 49003-2107
 telephone (269) 349-1521 fax (269) 349-6530

Drawings produced by this program are only as good as the information provided. These drawings are PRELIMINARY only.
 All drawings created are subject to intertek approval for design and construction capability.
 Printed: June 16, 2026 v2.8.0

Thomas Bowe Middle School

Bank 1 - 37'-2" Friction Power
 Building Code: IBC 2018
 3 Row - 24 Span - 10.25 Rise - Wall Attached
 66 seats (EM10)
 3'-9 3/8" Court To First Row Dimension



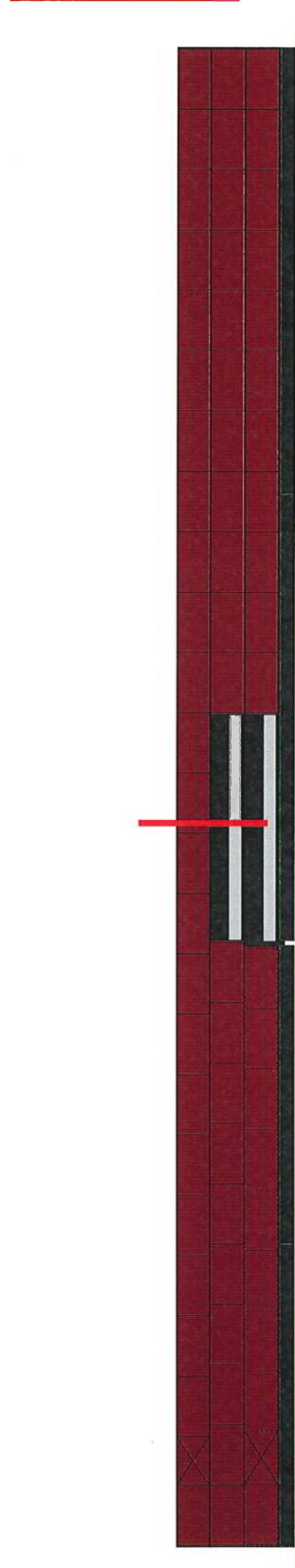
5981 East Cork Street, PO Box 2107, Kalamazoo, MI 49003-2107
 telephone (269) 349-1521 fax (269) 349-6530

Drawings produced by this program are only as good as the information provided. These drawings are PRELIMINARY only.
 All drawings created are subject to Interkal approval for design and construction capability.
 Printed: June 16, 2026 v2.8.0

Thomas Bowe Middle School

Bank 1 - 37'-2" Friction Power
Building Code: IBC 2018
39'-8" Clear Dimension
3 Row - 24 Span - 10.25 Rise
66 seats (EM10)

- POWER REQUIREMENTS:**
1. Wiring and non-fusible safety switch(es) suitable for the line voltage to be provided by electrical contractor or others with branch circuit protection to each not exceeding 15 amps.
 2. Branch circuit protection devices by others to be accessible when platforms are closed.
 3. Verify electrical information:
Circuit 3 Phase, 208-230 Volts, 60 Hertz.
Each 1/2 Horse Power Motor Draws 2.0-2.2 amps. Full Load.
Motors run simultaneously.
 4. Junction box(es) by electrical contractor to be mounted at locations TBD, 5' AFF.
Typical location shall be at section joints.

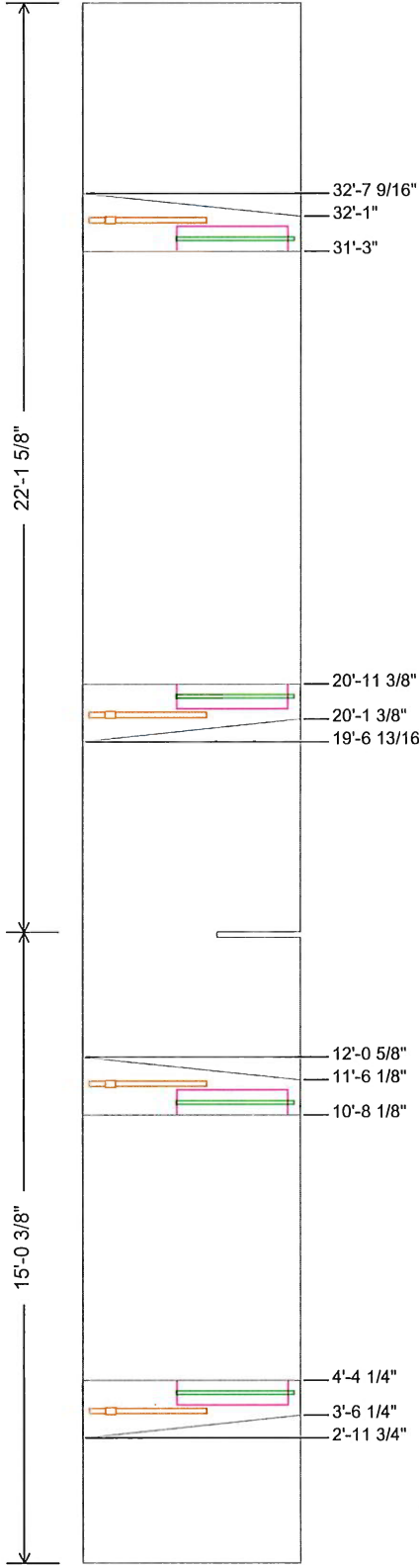


5981 East Cork Street, PO Box 2107, Kalamazoo, MI 49003-2107
telephone (269) 349-1521 fax (269) 349-6530

Drawings produced by this program are only as good as the information provided. These drawings are PRELIMINARY only.
All drawings created are subject to Intertek approval for design and construction capability.
Printed: June 16, 2026 v2.8.0

Thomas Bowe Middle School

Bank 1 - 37'-2" Friction Power
 Building Code: IBC 2018
 39'-8" Clear Dimension



5981 East Cork Street, PO Box 2107, Kalamazoo, MI 49003-2107
 telephone (269) 349-1521 fax (269) 349-6530

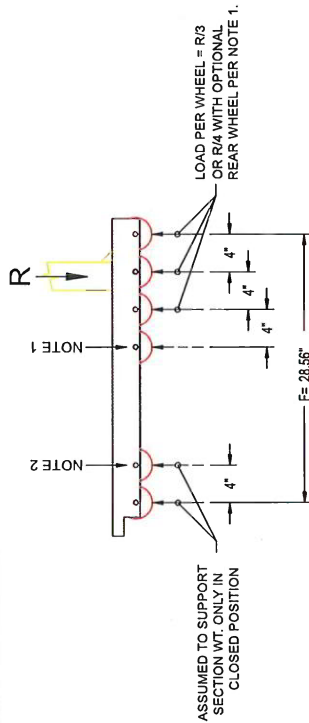
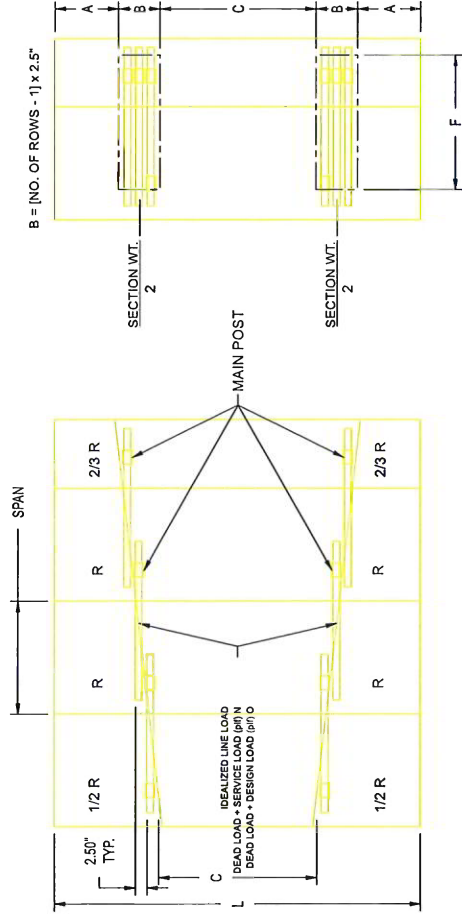
Drawings produced by this program are only as good as the information provided. These drawings are PRELIMINARY only.
 All drawings created are subject to Interkal approval for design and construction capability.
 Printed: June 16, 2026 v2.8.0

Thomas Bowe Middle School

Bank 1 - 37'-2" Friction Power
Building Code: IBC 2018

THE INFORMATION CONTAINED ON THIS DRAWING IS TO BE CONSIDERED PRELIMINARY UNTIL INTERKAL RECEIVES FIELD CHECK AND APPROVED DRAWINGS. ANY CHANGES IN BANK LENGTH OR EQUIPMENT WILL VOID THESE DIMENSIONS.

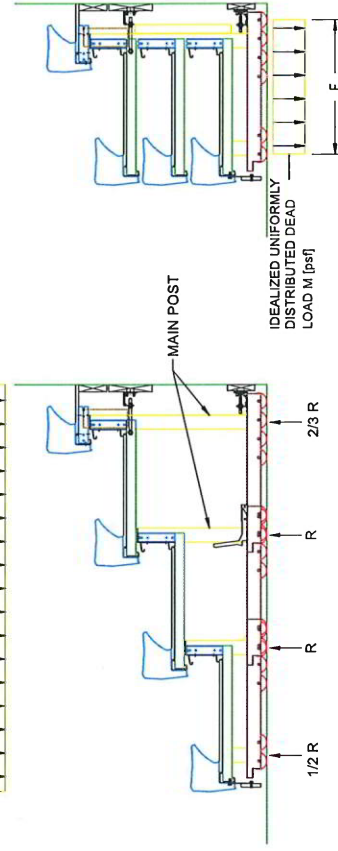
	Section 1	Section 2
Section Length L [ft]	15'-0.33"	22'-1.53"
Dimension A [ft]	3'-4.11/16"	5'-1.7/16"
Dimension B [ft]	5	5
Dimension C [ft]	7'-0.13/16"	11'-0.13/16"
Total Section Weight W [lbs]	635	872
Retracted Floor Pressure M [psf]	321	440
Service Load + Dead Load N [plf]	574	838
Live Load + Dead Load O [plf]	825	1207
Dead Load Per Wheel [lbs]	80	109
Dead Load Wheel Pressure [psi]	54	73
Service+Dead Loads Per Wheel [lbs]	383	559
Service+Dead Wheel Pressure [psi]	256	373
Live + Dead Loads Per Wheel [lbs]	560	805
Live + Dead Wheel Pressure [psi]	367	537



NOTE 1 - WHEEL IS PROVIDED ON STANDARD PRODUCT IN HORSES 11 & UP. THE WHEEL IS AVAILABLE AS AN OPTION ON HORSES 1-10.

NOTE 2 - WHEEL IS PROVIDED ON STANDARD PRODUCT IN HORSES 16 & UP. THE WHEEL IS AVAILABLE AS AN OPTION ON HORSES 1-15.

INFORMATION CONTAINED ON THIS DRAWING IS TO BE CONSIDERED PRELIMINARY. A WHEEL TRAVEL DRAWING INCORPORATING THE FINAL APPROVED LAYOUT AND ALL FIELD CHECK DIMENSIONS SHOULD BE REQUESTED FROM INTERKAL FOR USE IN DETERMINING LOCATIONS OF BLOCKING UNDER WOOD FLOORING. STRUCTURAL DESIGN OF SUPPORTED SLABS AND CONFIRMATION OF FINAL WHEEL LOADS. THE ARCHITECT IS RESPONSIBLE FOR COORDINATION AND COMPATIBILITY BETWEEN THE BLEACHER LOADS AND THE FINISHED FLOOR LOADS. INTERKAL RECOMMENDS THE USE OF HARDBOARD RUNNERS UNDER THE BLEACHER WHEELS WHEN OPERATING OVER ANY TYPE OF SYNTHETIC FLOORING.



Interkal
Specialty Seating World Wide
www.interkal.com

5981 East Cork Street, PO Box 2107, Kalamazoo, MI 49003-2107
telephone (269) 349-1521 fax (269) 349-6530

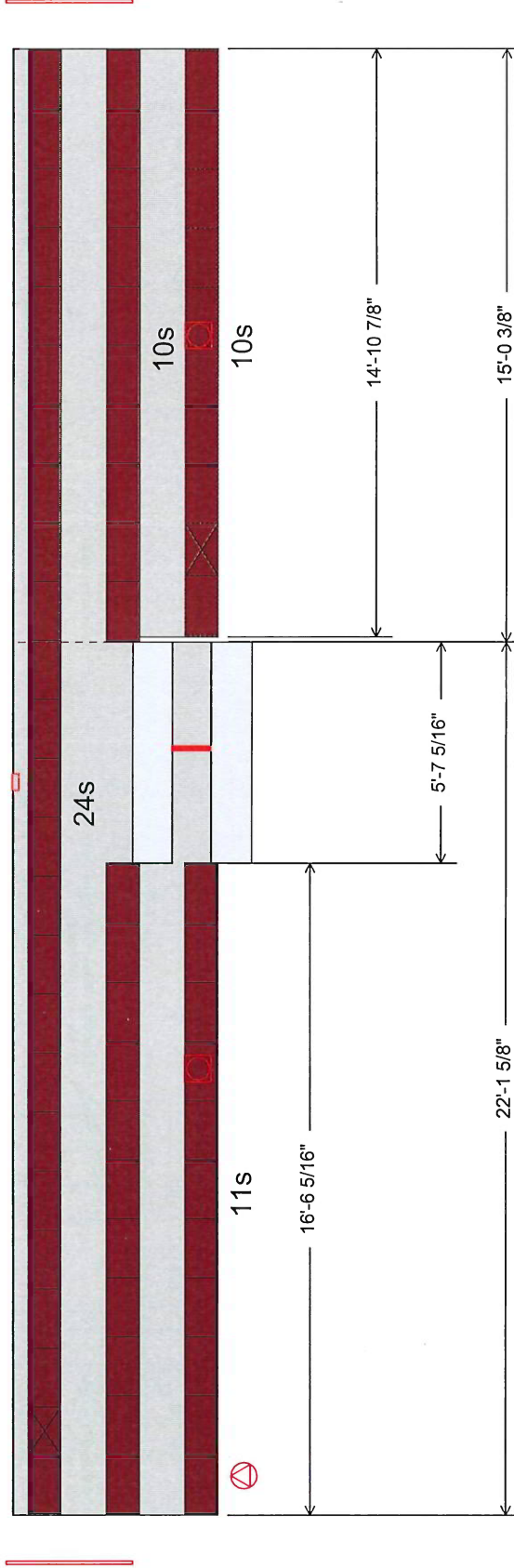
Drawings produced by this program are only as good as the information provided. These drawings are PRELIMINARY only. All drawings created are subject to Interkal approval for design and construction capability.

Printed: June 16, 2026 v2.8.0

Thomas Bowe Middle School

Bank 2 - 37'-2" Friction Power
 Building Code: IBC 2018
 39'-8" Clear Dimension
 3 Row - 24 Span - 10.25 Rise
 66 seats (EM10)

- POWER REQUIREMENTS:**
1. Wiring and non-fusible safety switch(es) suitable for the line voltage to be provided by electrical contractor or others with branch circuit protection to each not exceeding 15 amps.
 2. Branch circuit protection devices by others to be accessible when platforms are closed.
 3. Verify electrical information:
 Each 1/2 Horse Power Motor Draws 2.0-2.2 amps. Full Load. Motors run simultaneously.
 4. Junction box(es) by electrical contractor to be mounted at locations TBD, 5' AFF. Typical location shall be at section joints.

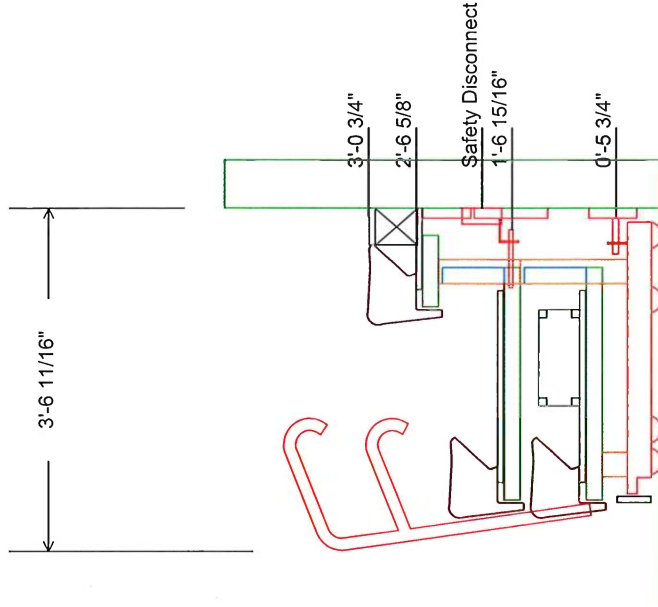
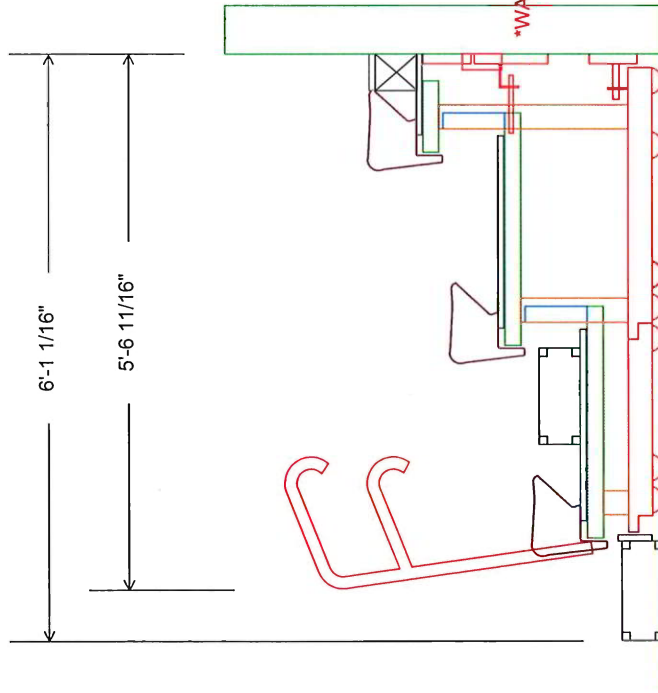


5981 East Cork Street, PO Box 2107, Kalamazoo, MI 49003-2107
 telephone (269) 349-1521 fax (269) 349-6530

Drawings produced by this program are only as good as the information provided. These drawings are PRELIMINARY only. All drawings created are subject to Interkal approval for design and construction capability.
 Printed: June 16, 2025 v2.8.0

Thomas Bowe Middle School

Bank 2 - 37'-2" Friction Power
 Building Code: IBC 2018
 3 Row - 24 Span - 10.25 Rise - Wall Attached
 66 seats (EM10)
 2'-10 15/16" Court To Step Dimension
 3'-5 5/16" Court To First Row Dimension



5981 East Cork Street, PO Box 2107, Kalamazoo, MI 49003-2107
 telephone (269) 349-1521 fax (269) 349-6530

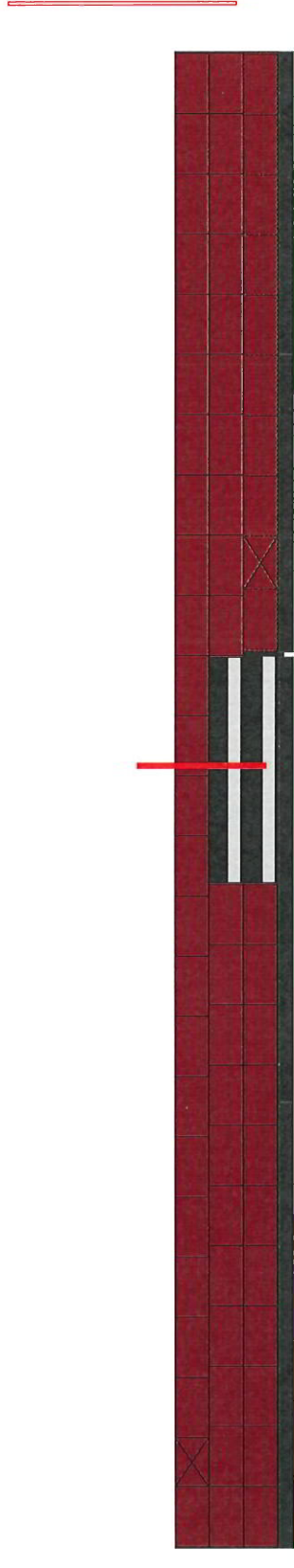
Drawings produced by this program are only as good as the information provided. These drawings are PRELIMINARY only.
 All drawings and files are subject to interkal approval for design and construction capability.
 Printed: June 16, 2026 v2.8.0

Side Elevation View

Thomas Bowe Middle School

Bank 2 - 37'-2" Friction Power
Building Code: IBC 2018
39'-8" Clear Dimension
3 Row - 24 Span - 10.25 Rise
66 seats (EM10)

- POWER REQUIREMENTS:**
1. Wiring and non-fusible safety switch(es) suitable for the line voltage to be provided by electrical contractor or others with branch circuit protection to each not exceeding 15 amps.
 2. Branch circuit protection devices by others to be accessible when platforms are closed.
 3. Verify electrical information:
Circuit 3 Phase, 208-230 Volts, 60 Hertz.
Each 1/2 Horse Power Motor Draws 2.0-2.2 amps. Full Load.
Motors run simultaneously.
 4. Junction box(es) by electrical contractor to be mounted at locations TBD, 5' AFF.
Typical location shall be at section joints.



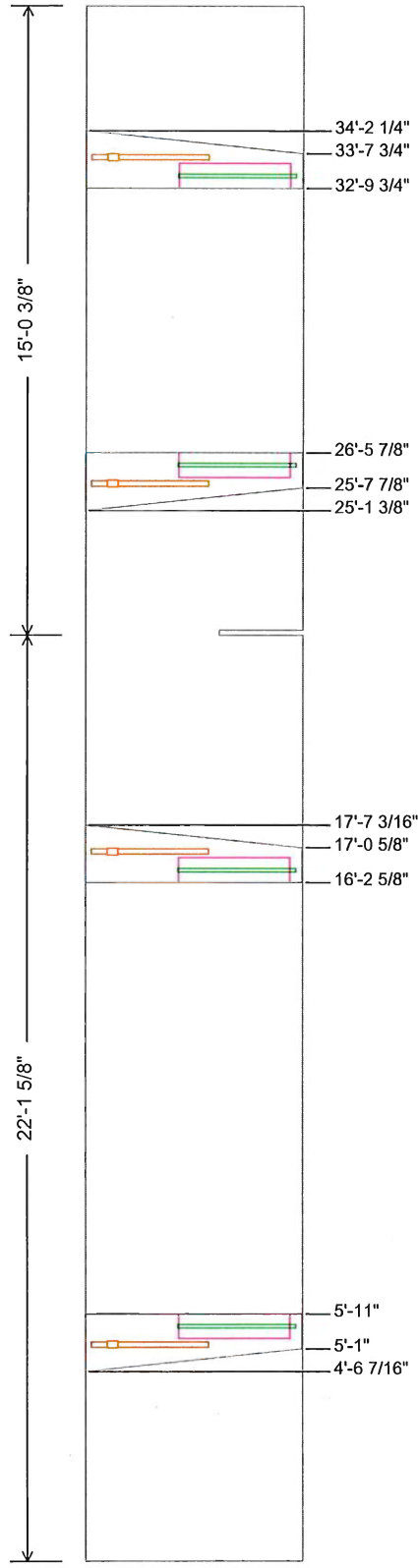
5981 East Cork Street, PO Box 2107, Kalamazoo, MI 49003-2107
telephone (269) 349-1521 fax (269) 349-6530

Drawings produced by this program are only as good as the information provided. These drawings are PRELIMINARY only.
All drawings created are subject to Interkal approval for design and construction capability.
Printed: June 16, 2026 v2.8.0

Front Elevation View

Thomas Bowe Middle School

Bank 2 - 37'-2" Friction Power
Building Code: IBC 2018
39'-8" Clear Dimension



5981 East Cork Street, PO Box 2107, Kalamazoo, MI 49003-2107
telephone (269) 349-1521 fax (269) 349-6530

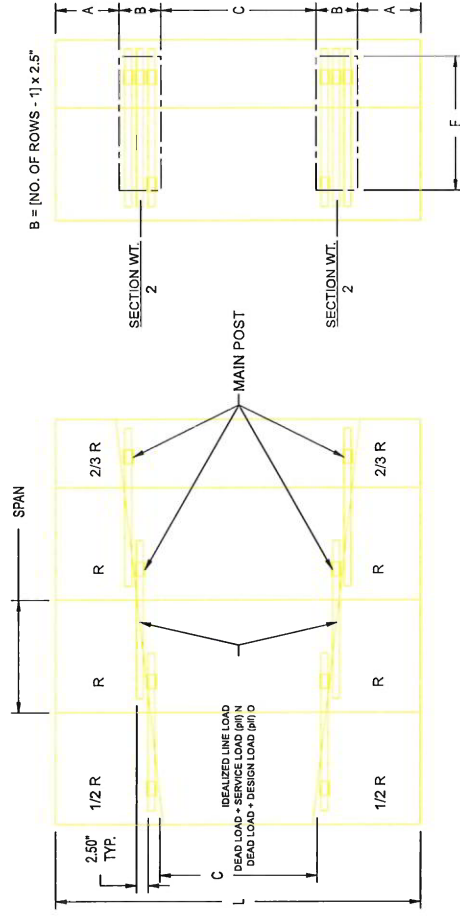
Drawings produced by this program are only as good as the information provided. These drawings are PRELIMINARY only.
All drawings created are subject to interkal approval for design and construction capability.
Printed: June 16, 2026 v2.8.0

Thomas Bowe Middle School

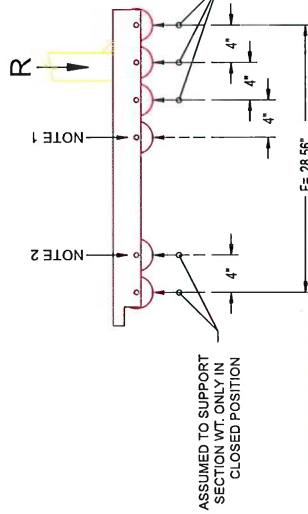
Bank 2 - 37'-2" Friction Power
Building Code: IBC 2018

THE INFORMATION CONTAINED ON THIS DRAWING IS TO BE CONSIDERED PRELIMINARY UNTIL INTERKAL RECEIVES FIELD CHECK AND APPROVED DRAWINGS. ANY CHANGES IN BANK LENGTH OR EQUIPMENT WILL VOID THESE DIMENSIONS.

	Section 1	Section 2
Section Length L [ft]	22'-1.58"	15'-0.38"
Dimension A [ft]	5'-1.71/16"	5'-6.11/16"
Dimension B [in]	5	5
Dimension C [ft]	11'-0.13/16"	7'-0.15/16"
Total Section Weight W [lbs]	872	655
Retracted Floor Pressure M [psf]	440	321
Service Load + Dead Load N [plf]	838	574
Live Load + Dead Load O [plf]	1207	825
Dead Load Per Wheel [lbs]	109	80
Dead Load Wheel Pressure [psi]	73	54
Service+Dead Loads Per Wheel [lbs]	659	483
Service+Dead Wheel Pressure [psi]	373	256
Live + Dead Loads Per Wheel [lbs]	805	550
Live + Dead Wheel Pressure [psi]	537	387



LOAD PER WHEEL = R/3
OR R/4 WITH OPTIONAL
REAR WHEEL PER NOTE 1.

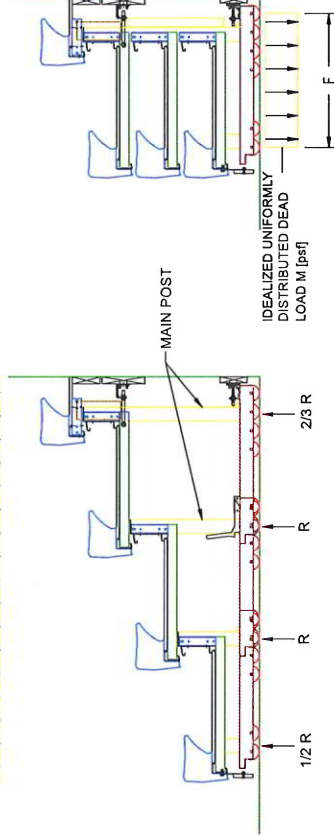


NOTE 1 - WHEEL IS PROVIDED ON STANDARD PRODUCT IN HORSES 11 & UP.
THE WHEEL IS AVAILABLE AS AN OPTION ON HORSES 1-10.

NOTE 2 - WHEEL IS PROVIDED ON STANDARD PRODUCT IN HORSES 1-15.
THE WHEEL IS AVAILABLE AS AN OPTION ON HORSES 16 & UP.

INFORMATION CONTAINED ON THIS DRAWING IS TO BE CONSIDERED PRELIMINARY. A WHEEL TRAVEL DRAWING INCORPORATING THE FINAL APPROVED LAYOUT AND ALL FIELD CHECK DIMENSIONS SHOULD BE REQUESTED FROM INTERKAL FOR USE IN DETERMINING LOCATIONS OF BLOCKING UNDER WOOD FLOORING. STRUCTURAL DESIGN OF SUPPORTED SLABS AND CONFIRMATION OF FINAL WHEEL LOADS. THE ARCHITECT IS RESPONSIBLE FOR COORDINATION AND COMPATIBILITY BETWEEN THE BLEACHER LOADS AND THE FINISHED FLOOR LOADS. INTERKAL RECOMMENDS THE USE OF HARDBOARD RUNNERS UNDER THE BLEACHER WHEELS WHEN OPERATING OVER ANY TYPE OF SYNTHETIC FLOORING.

67 psf SERVICE LOAD OR
100 psf LIVE LOAD



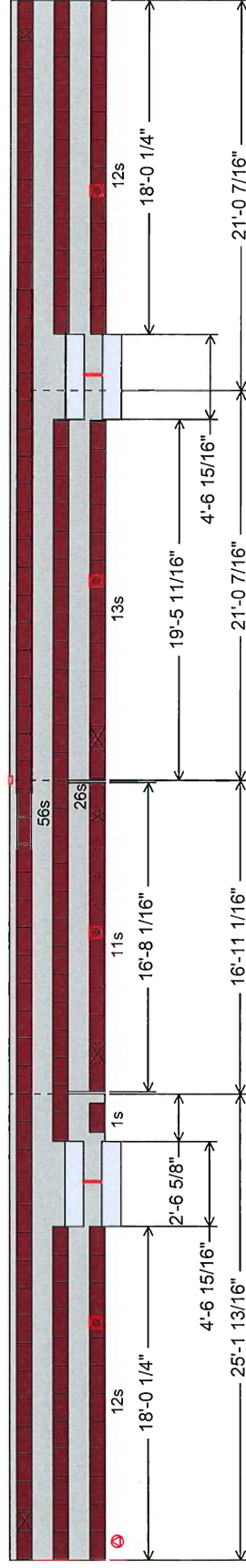
5981 East Cork Street, PO Box 2107, Kalamazoo, MI 49003-2107
telephone (269) 349-1521 fax (269) 349-6530

Drawings produced by this program are only as good as the information provided. These drawings are PRELIMINARY only. All drawings created are subject to Interkal approval for design and construction capability.
Printed: June 16, 2026 v2.8.0

Thomas Bowe Middle School

Bank 3 - 84'-1 3/4" Friction Power
 Building Code: IBC 2018
 86'-7 3/4" Clear Dimension
 3 Row - 24 Span - 10.25 Rise
 155 seats (EM10)

- POWER REQUIREMENTS:**
1. Wiring and non-fusible safety switch(es) suitable for the line voltage to be provided by electrical contractor or others with branch circuit protection to each not exceeding 15 amps.
 2. Branch circuit protection devices by others to be accessible when platforms are closed.
 3. Verify electrical information:
 Circuit 3 Phase, 208-230 Volts, 60 Hertz
 Each 1/2 Horse Power Motor Draws 2.0-2.2 amps, Full Load. Motors run simultaneously.
 4. Junction box(es) by electrical contractor to be mounted at locations TBD, 5' AFF. Typical location shall be at section joints.

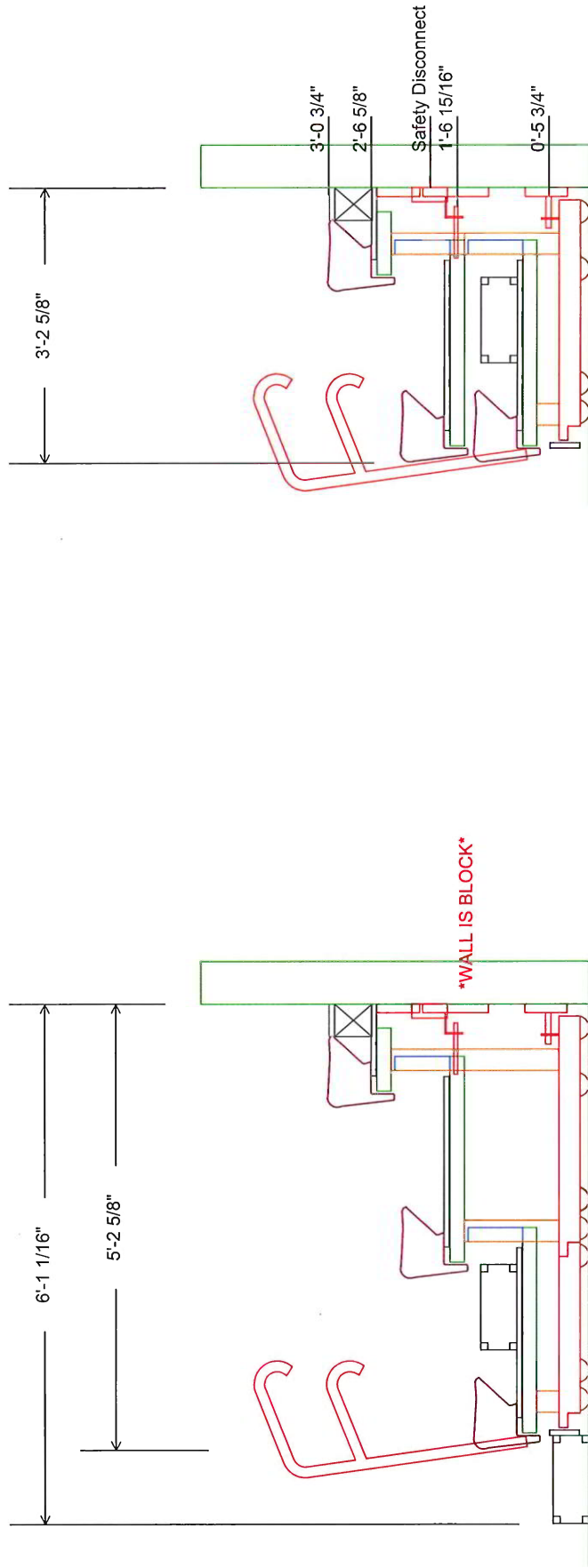


5981 East Cork Street, PO Box 2107, Kalamazoo, MI 49003-2107
 telephone (269) 349-1521 fax (269) 349-6530

Drawings produced by this program are only as good as the information provided. These drawings are PRELIMINARY only.
 All drawings created are subject to Interkal approval for design and construction capability.
 Printed: June 16, 2026 v2.8.0

Thomas Bowe Middle School

- Bank 3 - 84'-1 3/4" Friction Power
- Building Code: IBC 2018
- 3 Row - 24 Span - 10.25 Rise - Wall Attached
155 seats (EM10)
- 2'-10 15/16" Court To Step Dimension
- 3'-9 3/8" Court To First Row Dimension

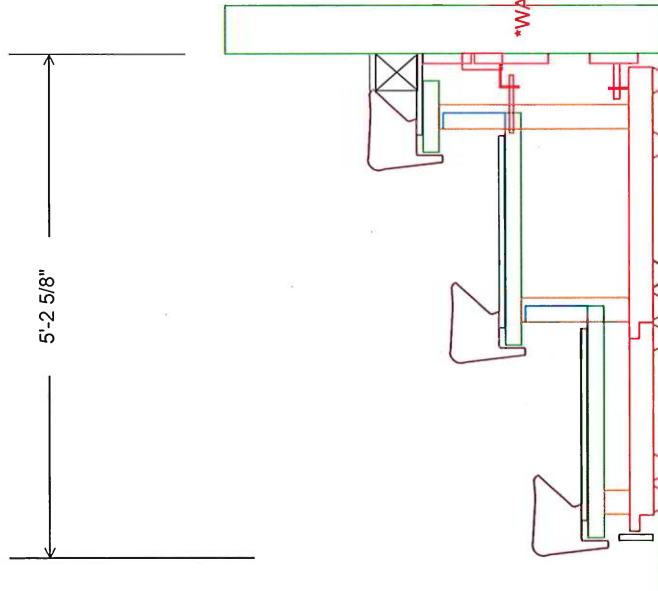


5981 East Cork Street, PO Box 2107, Kalamazoo, MI 49003-2107
 telephone (269) 349-1521 fax (269) 349-6530

Drawings produced by this program are only as good as the information provided. These drawings are PRELIMINARY only.
 All drawings created are subject to Intertek approval for design and construction capability.
 Printed: June 16, 2026 v2.8.0

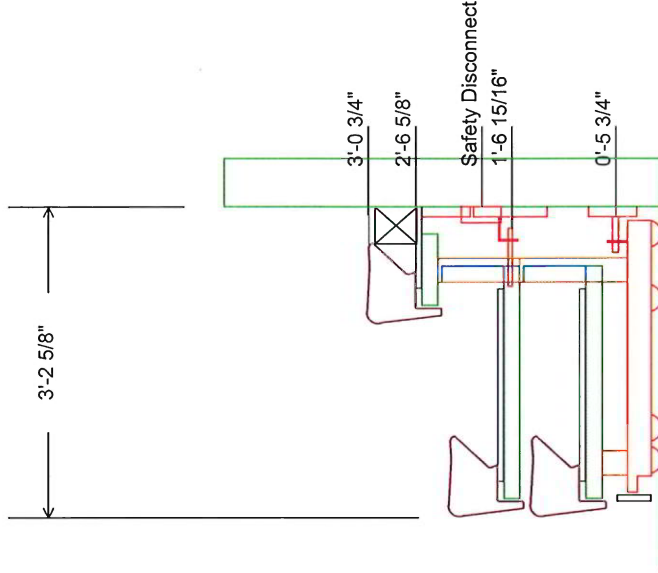
Thomas Bowe Middle School

Bank 3 - 84'-1 3/4" Friction Power
 Building Code: IBC 2018
 3 Row - 24 Span - 10.25 Rise - Wall Attached
 155 seats (EM10)
 3'-9 3/8" Court To First Row Dimension



FLOOR IS WOOD FLOATING

WALL IS BLOCK



Side Elevation View B3



5981 East Cork Street, PO Box 2107, Kalamazoo, MI 49003-2107
 telephone (269) 349-1521 fax (269) 349-6530

Drawings produced by this program are only as good as the information provided. These drawings are PRELIMINARY only.
 All drawings created are subject to Intertek approval for design and construction capability.
 Printed: June 16, 2026 v2.8.0

Thomas Bowe Middle School

Bank 3 - 84'-1 3/4" Friction Power

Building Code: IBC 2018

86'-7 3/4" Clear Dimension

3 Row - 24 Span - 10.25 Rise

155 seats (EM10)

- POWER REQUIREMENTS:**
1. Wiring and non-fusible safety switch(es) suitable for the line voltage to be provided by electrical contractor or others with branch circuit protection to each not exceeding 15 amps.
 2. Branch circuit protection devices by others to be accessible when platforms are closed.
 3. Verify electrical information:
Circuit 3 Phase, 208-230 Volts, 60 Hertz.
Each 1/2 Horse Power Motor Draws 2.0-2.2 amps. Full Load.
Motors run simultaneously.
 4. Junction Box(es) by electrical contractor to be mounted at locations TBD, 5' AFF.
Typical location shall be at section joints.



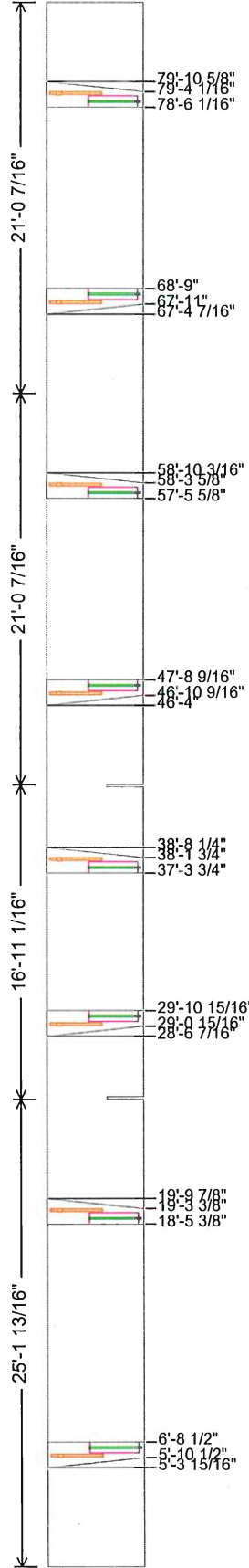
5981 East Cork Street, PO Box 2107, Kalamazoo, MI 49003-2107
telephone (269) 349-1521 fax (269) 349-6530

Drawings produced by this program are only as good as the information provided. These drawings are PRELIMINARY only.
All drawings created are subject to Intertek approval for design and construction capability.
Printer: June 16, 2026 V2.8.0

Front Elevation View

Thomas Bowe Middle School

Bank 3 - 84'-1 3/4" Friction Power
 Building Code: IBC 2018
 86'-7 3/4" Clear Dimension



Wheel Travel View



5981 East Cork Street, PO Box 2107, Kalamazoo, MI 49003-2107
 telephone (269) 349-1521 fax (269) 349-6530

Drawings produced by this program are only as good as the information provided. These drawings are PRELIMINARY only.
 All drawings created are subject to Intertek approval for design and construction capability.
 Printed: June 16, 2026 V2.8.0

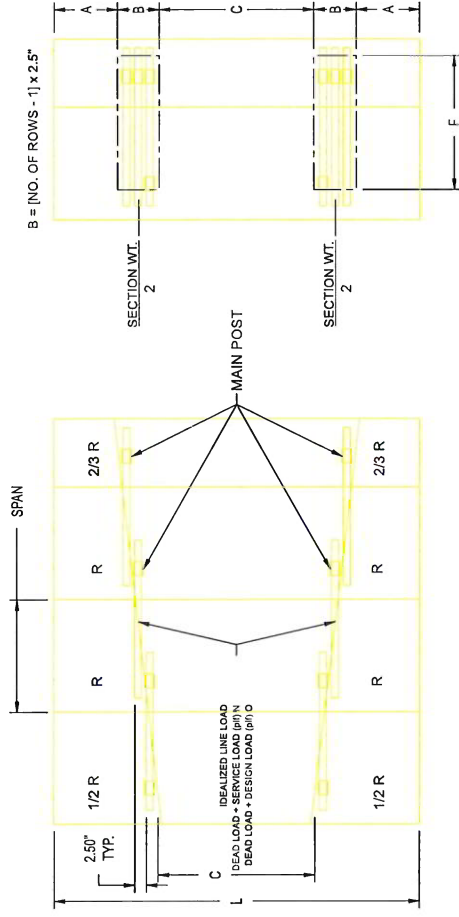
Thomas Bowe Middle School

Bank 3 - 84'-1 3/4" Friction Power

Building Code: IBC 2018

THE INFORMATION CONTAINED ON THIS DRAWING IS TO BE CONSIDERED PRELIMINARY UNTIL INTERKAL RECEIVES FIELD CHECK AND APPROVED DRAWINGS. ANY CHANGES IN BANK LENGTH OR EQUIPMENT WILL VOID THESE DIMENSIONS.

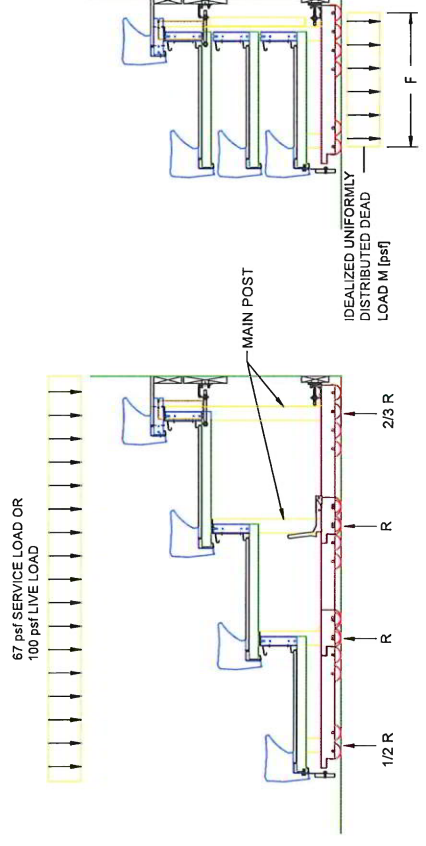
	Section 1	Section 2	Section 3	Section 4
Section Length L [ft]	25'-1.1316"	16'-11.716"	21'-0.7716"	21'-0.7716"
Dimension A [ft]	5'-10.1516"	5'-11.916"	4'-10.108"	4'-10.108"
Dimension B [in]	5	5	5	5
Dimension C [ft]	12'-6"	9'-1.708"	10'-6.114"	10'-6.114"
Total Section Weight W [lbs]	972	688	855	855
Retracted Floor Pressure M [psf]	491	352	422	422
Service Load + Dead Load N [plf]	850	644	797	797
Live Load + Dead Load O [plf]	1359	926	1148	1148
Dead Load Per Wheel [lbs]	122	88	105	105
Dead Load Wheel Pressure [psi]	82	59	70	70
Service+Dead Wheel Pressure [psi]	354	430	532	532
Service+Dead Loads Per Wheel [lbs]	423	287	355	355
Live + Dead Loads Per Wheel [lbs]	913	618	766	766
Live + Dead Wheel Pressure [psi]	609	412	511	511



NOTE 1 - WHEEL IS PROVIDED ON STANDARD PRODUCT IN HORSES 11 & UP.
THE WHEEL IS AVAILABLE AS AN OPTION ON HORSES 1-10.

NOTE 2 - WHEEL IS PROVIDED ON STANDARD PRODUCT IN HORSES 1-15.
THE WHEEL IS AVAILABLE AS AN OPTION ON HORSES 16 & UP.

INFORMATION CONTAINED ON THIS DRAWING IS TO BE CONSIDERED PRELIMINARY A WHEEL TRAVEL DRAWING INCORPORATING THE FINAL APPROVED LAYOUT AND ALL FIELD CHECK DIMENSIONS SHOULD BE REQUESTED FROM INTERKAL FOR USE IN DETERMINING LOCATIONS OF BLOCKING UNDER WOOD FLOORING. STRUCTURAL DESIGN OF SUPPORTED SLABS AND CONFIRMATION OF FINAL WHEEL LOADS. THE ARCHITECT IS RESPONSIBLE FOR COORDINATION AND COMPATIBILITY BETWEEN THE BLEACHER LOADS AND THE FINISHED FLOOR LOADS. INTERKAL RECOMMENDS THE USE OF HARDBOARD RUNNERS UNDER THE BLEACHER WHEELS WHEN OPERATING OVER ANY TYPE OF SYNTHETIC FLOORING.

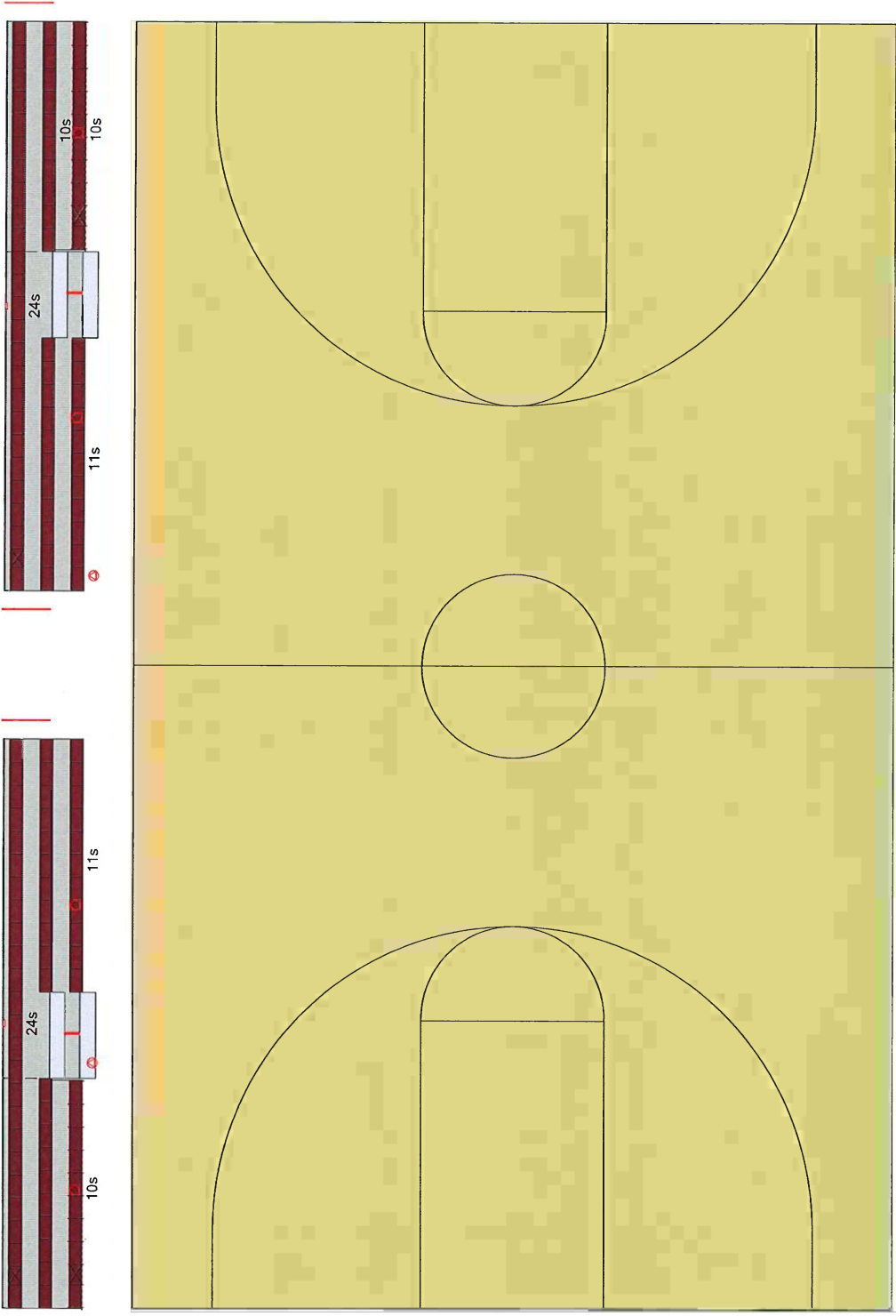


5981 East Cork Street, PO Box 2107, Kalamazoo, MI 49003-2107
telephone (269) 349-1521 fax (269) 349-6530

Drawings produced by this program are only as good as the information provided. These drawings are PRELIMINARY only. All drawings created are subject to Interkal approval for design and construction capability. Printed: June 16, 2026 v2.8.0

Thomas Bowe Middle School

Gymnasium 1
Building Code: IBC 2018



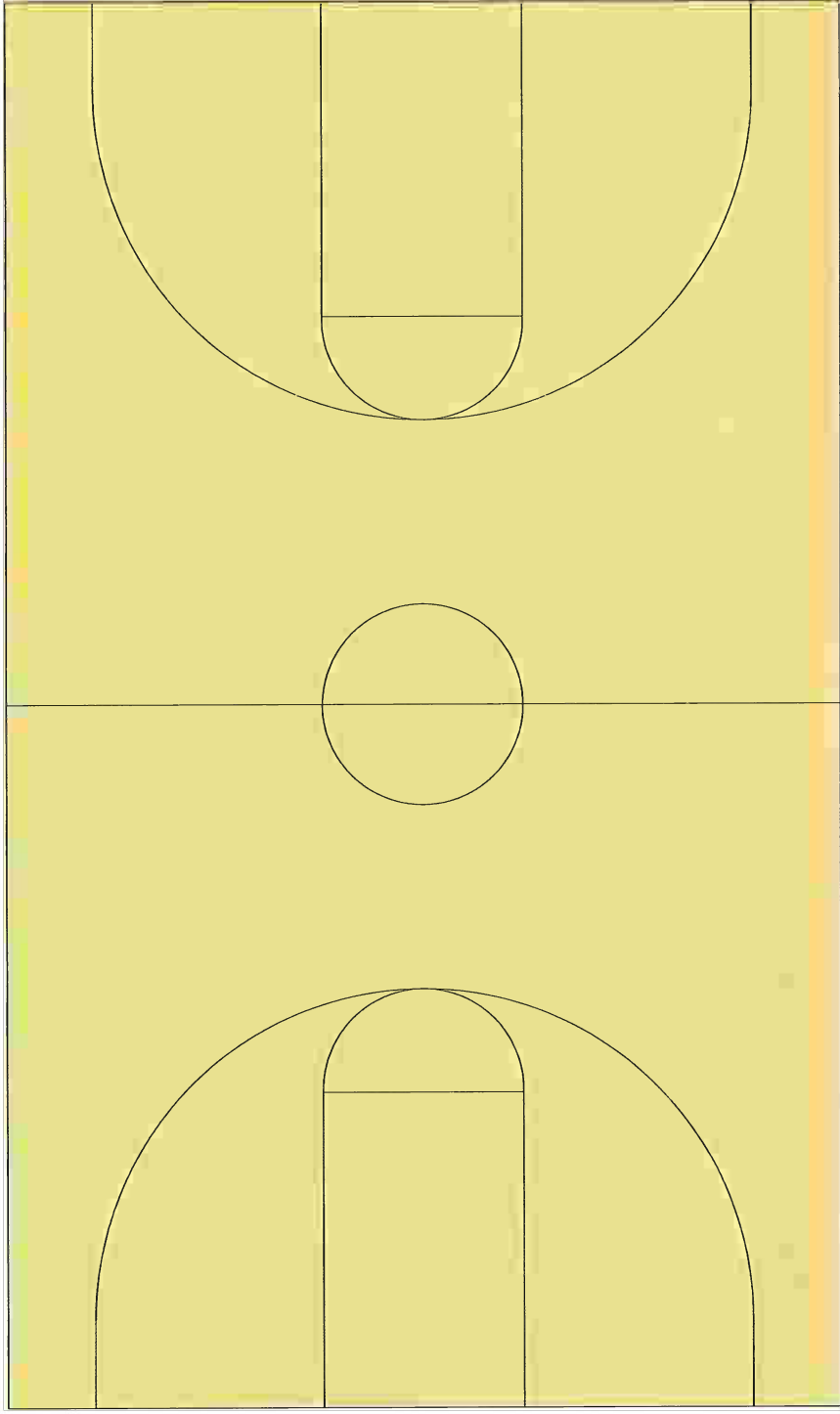
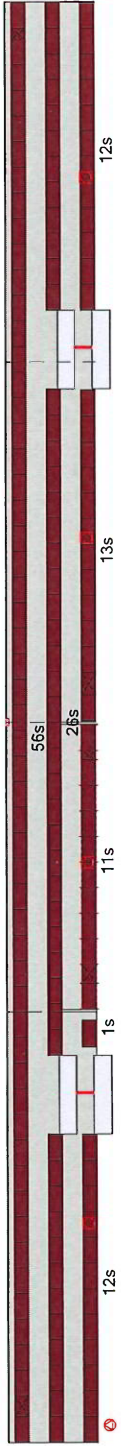
5981 East Cork Street, PO Box 2107, Kalamazoo, MI 49003-2107
telephone (269) 349-1521 fax (269) 349-6530

Drawings produced by this program are only as good as the information provided. These drawings are PRELIMINARY only.
All drawings created are subject to Interkal approval for design and construction capability.
Printed: June 16, 2026 v2.8.0

Thomas Bowe Middle School

Gymnasium 2

Building Code: IBC 2018



5981 East Cork Street, PO Box 2107, Kalamazoo, MI 49003-2107
telephone (269) 349-1521 fax (269) 349-6530

Drawings produced by this program are only as good as the information provided. These drawings are PRELIMINARY only.
All drawings created are subject to Interkal approval for design and construction capability.
Printed: June 16, 2025 v2.8.0